

APPLICATIONS

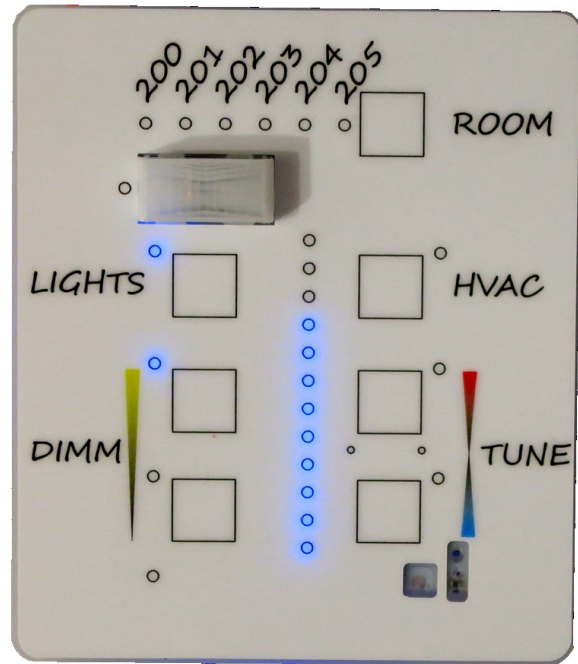
HVAC automation
 Industrial automation
 Lighting automation

OVERVIEW

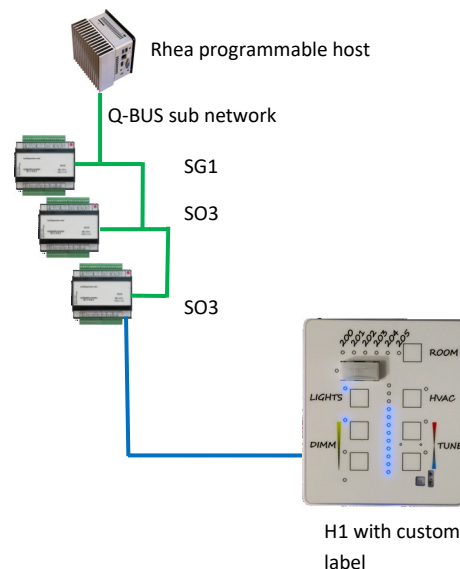
The H1 is a microprocessor-based, graphically programmable human interface. H1 includes temperature sensor, light level LUX sensor and optionally a motion sensor. H1 includes six buttons that can be individually used as toggle or momentary type. Two buttons can be paired to form an analog input for up to two pairs. The configured functions including buttons and analog inputs can now be replicated for up to 6 rooms by pressing room button in the upper right corner. Think about it as pages of functionality. You define the page (button's functions) then you can use it for multiple rooms. If pages (or rooms) are not used, the six horizontally placed LEDs can be used as user-defined LED outputs. Additionally, there are two user-definable LED outputs, one by the motion sensor and one at the bottom left corner. H1 connects to InetSupervisor system via the VA bus (CAT5 cable) port currently present on SO3 controllers, and SG1 gateways. User will typically print and apply custom label. Labels shall be less than 6mill thick and electrically non-conductive. Labels can be ordered from SignArtGraphix.com print shop by calling 760-940-1947.



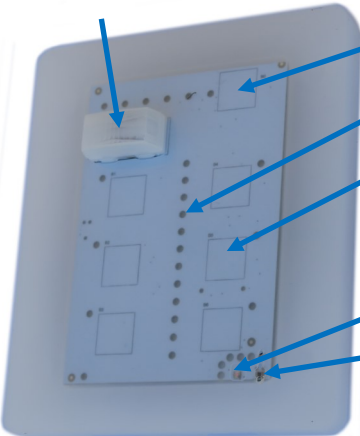
PRODUCT PART NUMBERS

HW Part Number: **H1**



Software definable buttons and LEDs, graphically programmable. Depicted product includes a custom label.



I/O CONFIGURATION		MECHANICAL	
NOTE: No Hardware Jumpers required		Communication	
Digital Buttons	6 x Digital	VA-bus	CAT-5 cable to SO3 or SG1 devices
	Buttons are exposed in graphical programming as momentary or toggle.	Power	
		Supply Voltage	Powered from VA bus (5-20V DC)
Analog Inputs	2 x Analog	Enclosure	
	Two buttons can be paired to form an analog input for up to two pairs. Once paired, the paired buttons can no longer be used as digital buttons.	Material	Acrylic cover, and ABS backplate.
		Color	White semi transparent
LED indicators		Installation	2x4 electrical box, or 4x4 junction box using included back plate.
	Each button has a dedicated feedback LED. Centrally located vertical bar of 12 LEDs is used for analog input feedback. Two dedicated user LEDs.	Connectors	RJ45 socket
	Six horizontally oriented LEDs at the top can be used to switch pages of configured functionality or when pages are not used, these LEDs can be used as user-defined indicators. Any user-defined LEDs are controlled with the graphically programmable logic.	Environment	
		Temperature	0°-70°C (32°-158°F)
		Humidity	0-90% non-condensing
		Storage	-20°- 70°C (-4° - 158°F)
		Installation	Indoor only
Sensors		 	
Light level	0-83k LUX, field calibration is recommended.	<p>Back plate on 2x4 box</p> <p>Back plate on 4x4 junction box</p>	
Motion	Passive infrared, 5 m max, movement speed 1m/s, horizontal detection 122°, vertical detection 35° or better.	<p>Motion sensor</p> 	
		<p>Page select button</p> <p>Analog bar</p> <p>Buttons</p> <p>Lux sensor</p> <p>Temperature sensor</p>	
WARRANTY		H1 with no label applied	
Standard 2-year warranty.			